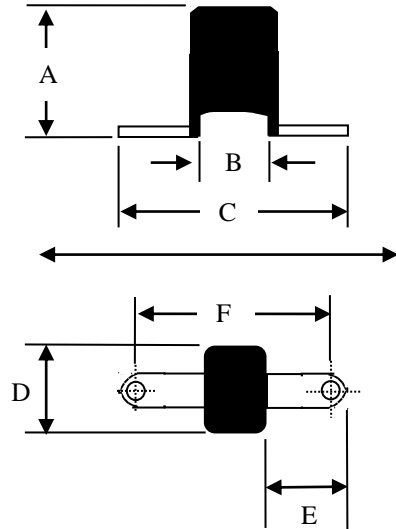


PRELIMINARY

Mechanical Specifications

A	25.9mm Nom
B	10.0mm Nom
C	52.0mm Nom
D	20.0mm Nom
E	19.0mm Nom
F	37.0mm Nom
Lead Thickness	0.8mm Nom
Weight	20.6 Grams Nom



Electrical Specifications

Resistance @ 25°C	100Ω ±25%
Switch Temperature	135°C
Max Voltage Rating	1000VDC
Max Energy Rating	500J
Residual Current @ 25°C	0.008A
Continuous Current @ 25°C	0.25A
Switching Current @ 25°C	0.50A

Rev:	Date:	Change:
0	6/12/23	Issue

Ametherm, Inc
961 Fairview Dr.
Carson City, NV 89701
Telephone: **800-808-2434**
Fax: 775 884-0670