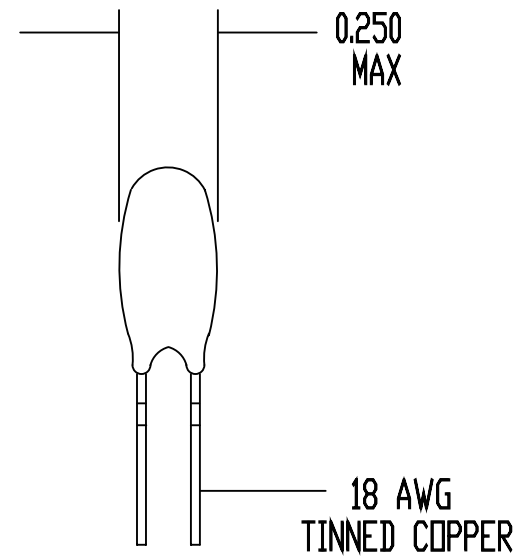
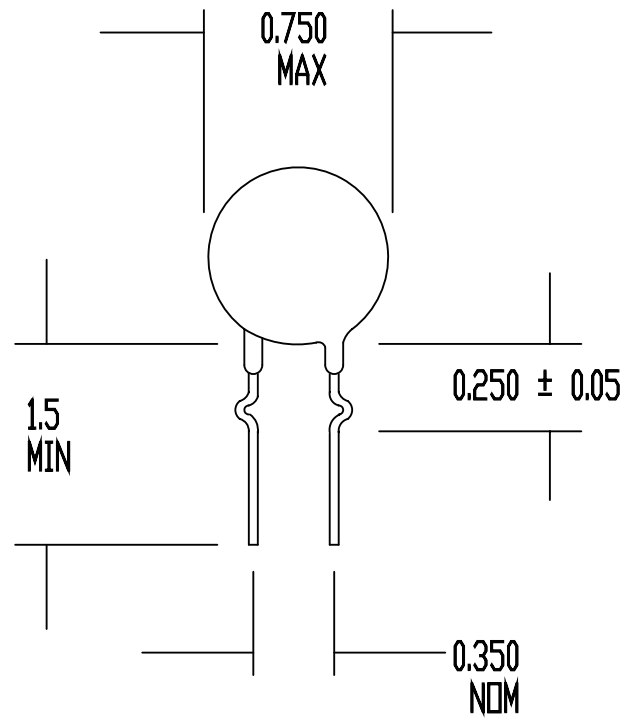



REV	DATE	ECO#
A	11/01/90	1155
B	03/31/95	1342

DRAWING NOT TO SCALE
ALL DIMENSIONS IN INCHES



SPECIFICATIONS:

RESISTANCE AT 25 DEG C = 16 OHMS +/- 25%
 MAX CONTINUOUS CURRENT (I_{max}) = 4 AMPS
 RESISTANCE AT I_{max} = 0.25 OHMS NOMINAL
 MAX VOLTAGE RATING = 265 VAC (RMS)
 MAX SURGE RATING = 50 JOULES
 ENCAPSULATION = SILICONE RESIN
 MARKING = OPTIONAL
 LEADS = RODAN P/N STL-209-45

DRAWN BY D. NGUYEN		 Circuit Protection Thermistors
DATE 05/24/90	ORIG. F. TISED	
REV B	APP	SURGE-GARD INRUSH CURRENT LIMITER
SHEET 1 OF 1		SG320