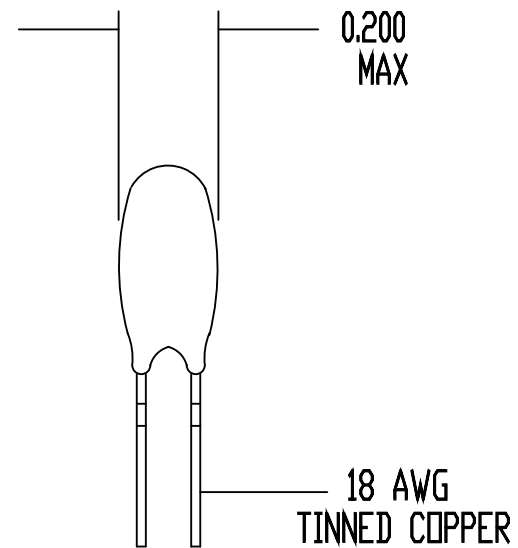
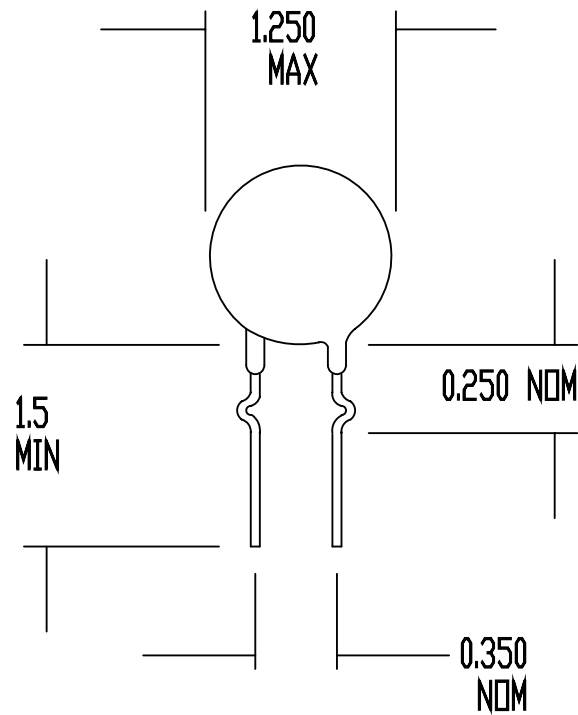



REV	DATE	ECO#

DRAWING NOT TO SCALE
ALL DIMENSIONS IN INCHES



SPECIFICATIONS:

RESISTANCE AT 25 DEG C = 0.5 OHM +/- 20%
 MAXIMUM CONTINUOUS CURRENT (I_{max}) = 30 AMPS
 RESISTANCE AT I_{max} = 0.01 NOMINAL
 MAXIMUM VOLTAGE RATING = 120 VAC (RMS)
 MAXIMUM SURGE RATING = 31 JOULES
 ENCAPSULATION = SILICONE RESIN
 MARKING = OPTIONAL
 LEADS = RODAN P/N STL-209-54 (OR STL-209-35)

DRAWN BY D. NGUYEN		 AMETHERM <i>Circuit Protection Thermistors</i>
DATE 11/05/90	ORIG. F. TISED	
REV N/C	APP	SURGE-GARD INRUSH CURRENT LIMITER
SHEET 1 OF 1		SG326