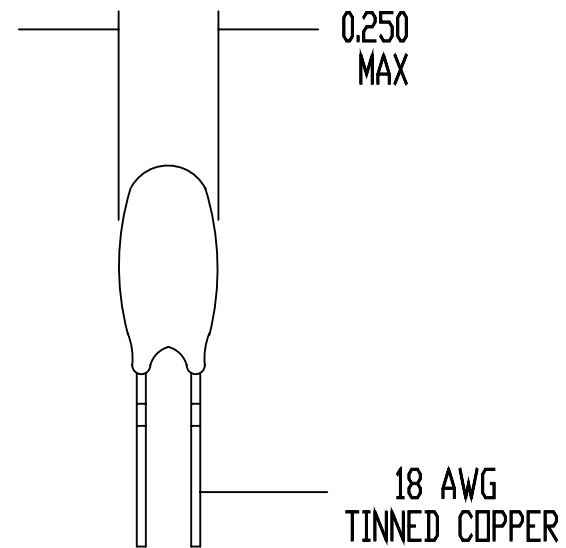
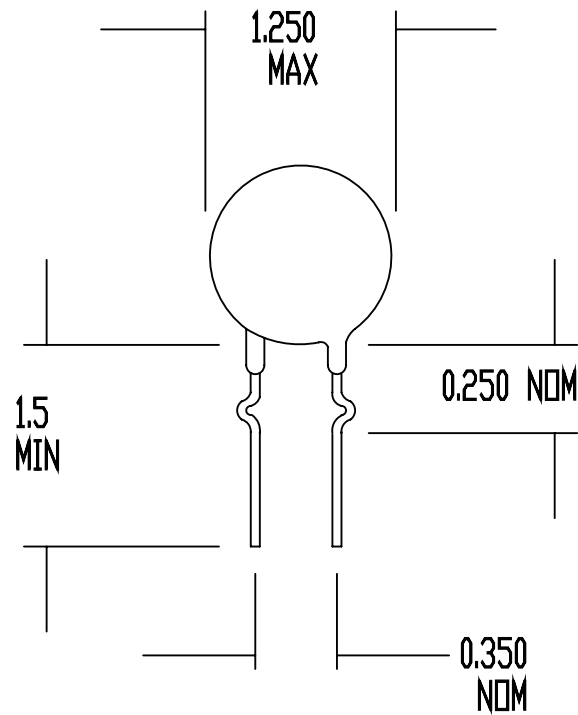



REV	DATE	ECD#
A	11/09/06	30650

DRAWING NOT TO SCALE  
ALL DIMENSIONS IN INCHES



**SPECIFICATIONS:**

RESISTANCE AT 25 DEG C = 1 OHM +/- 25%  
 MAXIMUM CONTINUOUS CURRENT (I<sub>max</sub>) = 30 AMPS  
 RESISTANCE AT I<sub>max</sub> = 0.015 OHMS NOMINAL  
 MAXIMUM VOLTAGE RATING = 265 VAC (RMS)  
 MAXIMUM SURGE RATING = 157 JOULES  
 ENCAPSULATION = SILICONE RESIN  
 MARKING = OPTIONAL  
 LEADS = RODAN P/N STL-309-54 (OR STL-309-35)

DRAWN BY D. NGUYEN		 <b>Circuit Protection Thermistors</b>
DATE 11/05/90	ORIG. F. TISED	
REV A	APP	SURGE-GARD INRUSH CURRENT LIMITER
SHEET 1 OF 1		SG328