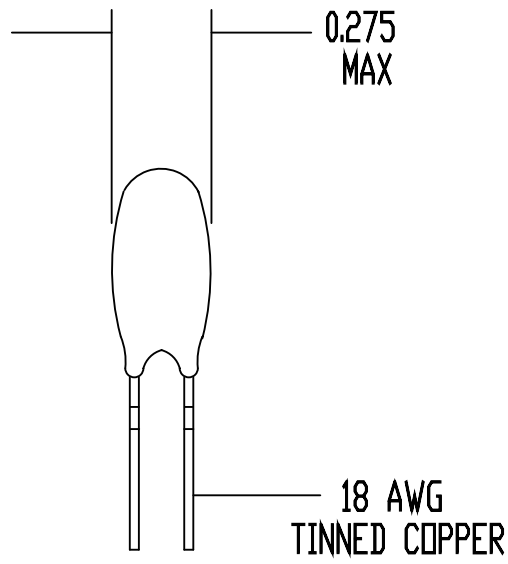
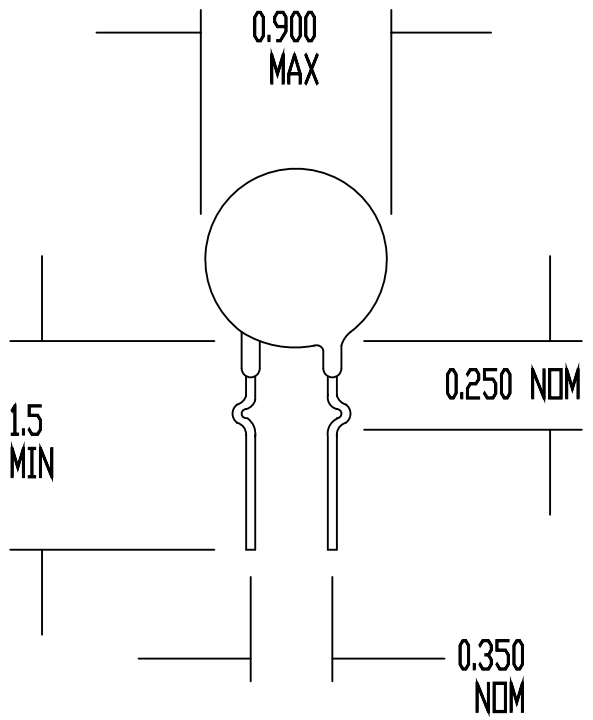



REV	DATE	ECD#
A	05/07/93	1258
B	07/15/96	1380

DRAWING NOT TO SCALE
ALL DIMENSIONS IN INCHES



SPECIFICATIONS:
 RESISTANCE AT 25 DEG C = 5 OHMS +/- 15%
 MAXIMUM CONTINUOUS CURRENT (I_{max}) = 12 AMPS
 RESISTANCE AT I_{max} = 0.06 OHMS NOMINAL
 MAXIMUM VOLTAGE RATING = 265 VAC (RMS)
 MAXIMUM SURGE RATING = 100 JOULES
 ENCAPSULATION = SILICONE RESIN
 MARKING = OPTIONAL
 LEADS = RODAN P/N STL-209-45

DRAWN BY D. NGUYEN		 AMETHERM <i>Circuit Protection Thermistors</i>
DATE 11/05/90	ORIG. F. TISED	
REV B	APP	SURGE-GARD INRUSH CURRENT LIMITER
SHEET 1 OF 1		SG333