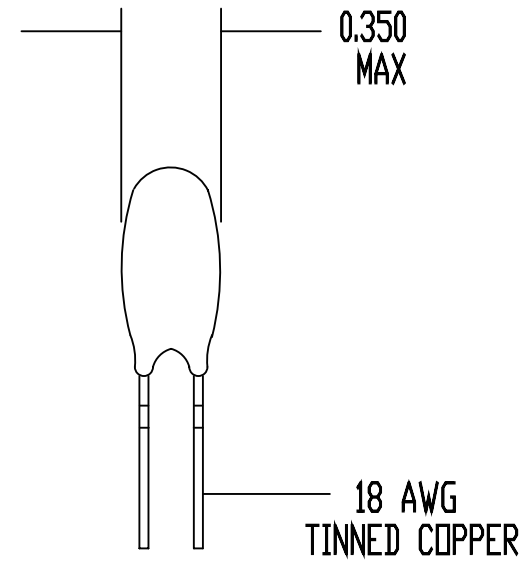
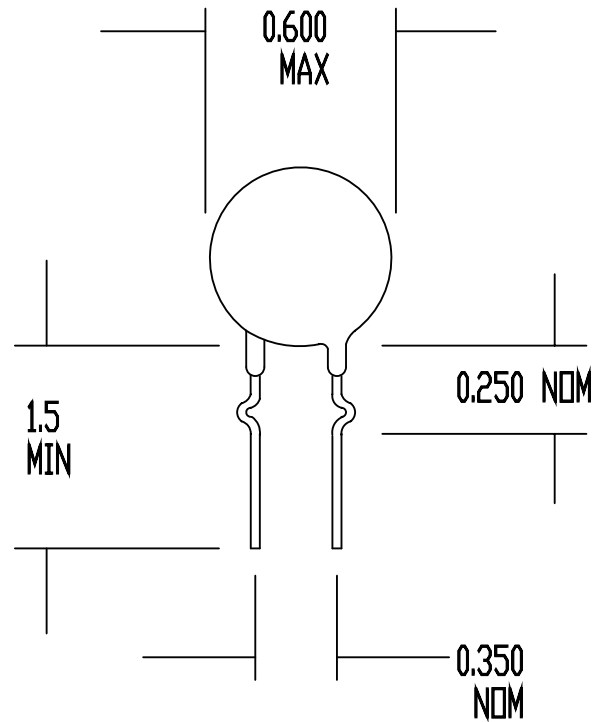



| | | |
|-----|----------|------|
| REV | DATE | ECD# |
| A | 03/31/95 | 1342 |
| | | |

DRAWING NOT TO SCALE
ALL DIMENSIONS IN INCHES



SPECIFICATIONS:

RESISTANCE AT 25 DEG C = 10 OHMS +/- 15%
 MAX CONTINUOUS CURRENT (I_{max}) = 5 AMPS
 RESISTANCE AT I_{max} = 0.20 OHMS NOMINAL
 MAX VOLTAGE RATING = 265 VAC (RMS)
 MAX SURGE RATING = 44 JOULES
 ENCAPSULATION = SILICONE RESIN
 MARKING = OPTIONAL
 LEADS = RODAN P/N STL-209-35

| | | |
|--------------------|----------------|---|
| DRAWN BY D. NGUYEN | |  AMETHERM <i>Circuit Protection Thermistors</i> |
| DATE 11/05/90 | ORIG. F. TISED | |
| REV A | APP | SURGE-GARD INRUSH CURRENT LIMITER |
| SHEET 1 OF 1 | | SG338 |